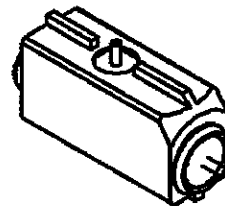
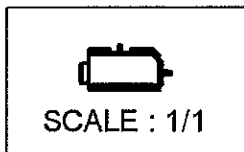
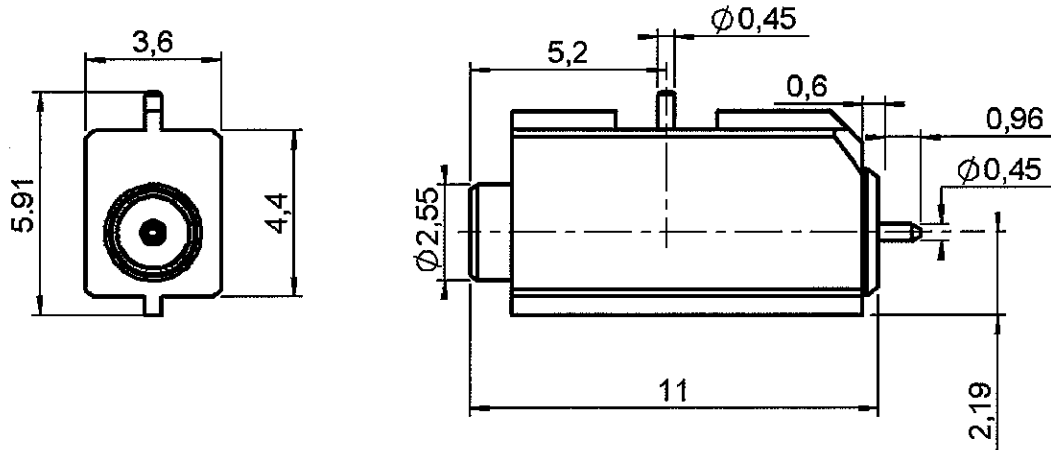


SMT SWITCH RECEPTACLE

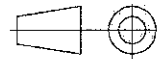
REEL OF 500

R199.005.890

Series : MC-CARD



All dimensions are in mm.



COMPONENTS	MATERIALS	PLATINGS (µm)
BODY	BRASS	GOLD 0.2 OVER NICKEL 2
CENTER CONTACT	BERYLLIUM COPPER	GOLD 0.8 OVER NICKEL 2
OUTER CONTACT	-	-
INSULATOR	POLYETHER ETHERCETONE 30% GF	-
GASKET	-	-
OTHERS PARTS	STAINLESS STEEL	-
-	-	-
-	-	-

Issue : 0449 D

In the effort to improve our products, we reserve the right to make changes judged to be necessary.



SMT SWITCH RECEPTACLE

R199.005.890

REEL OF 500

Series : MC-CARD

PACKAGING

SPECIFICATION

Standard	Unit	Other
500	'W' option	Contact us

* 1.4 max at 2.5 GHz. 00

ELECTRICAL CHARACTERISTICS

ENVIRONMENTAL

Impedance		50 Ω
Frequency		0-3 GHz
VSWR	1.4* +	0.000 x F(GHz) Maxi
Insertion loss		0.3** √F(GHz) dB Maxi
RF leakage	- (- F(GHz)) dB Maxi
Voltage rating		100 Veff Maxi
Dielectric withstanding voltage		250 Veff mini
Insulation resistance		5000 MΩ mini

Operating temperature	-40/+110 ° C
Hermetic seal	- Atm.cm3/s
Panel leakage	-

OTHERS CHARACTERISTICS

Assembly instruction NA

Others :
isol between 2 ways: -22dBmin at 2.5 GHz

MECHANICAL CHARACTERISTICS

Center contact retention		
Axial force – Mating end		- N mini
Axial force – Opposite end		- N mini
Torque		- N.cm mini
Recommended torque		
Mating		- N.cm
Panel nut		- N.cm
Mating life	5000	Cycles mini
Weight	0.985	g

Issue : 0449 D

In the effort to improve our products, we reserve the right to make changes judged to be necessary.



SMT SWITCH RECEPTACLE

REEL OF 500

R199.005.890

Series : MC-CARD

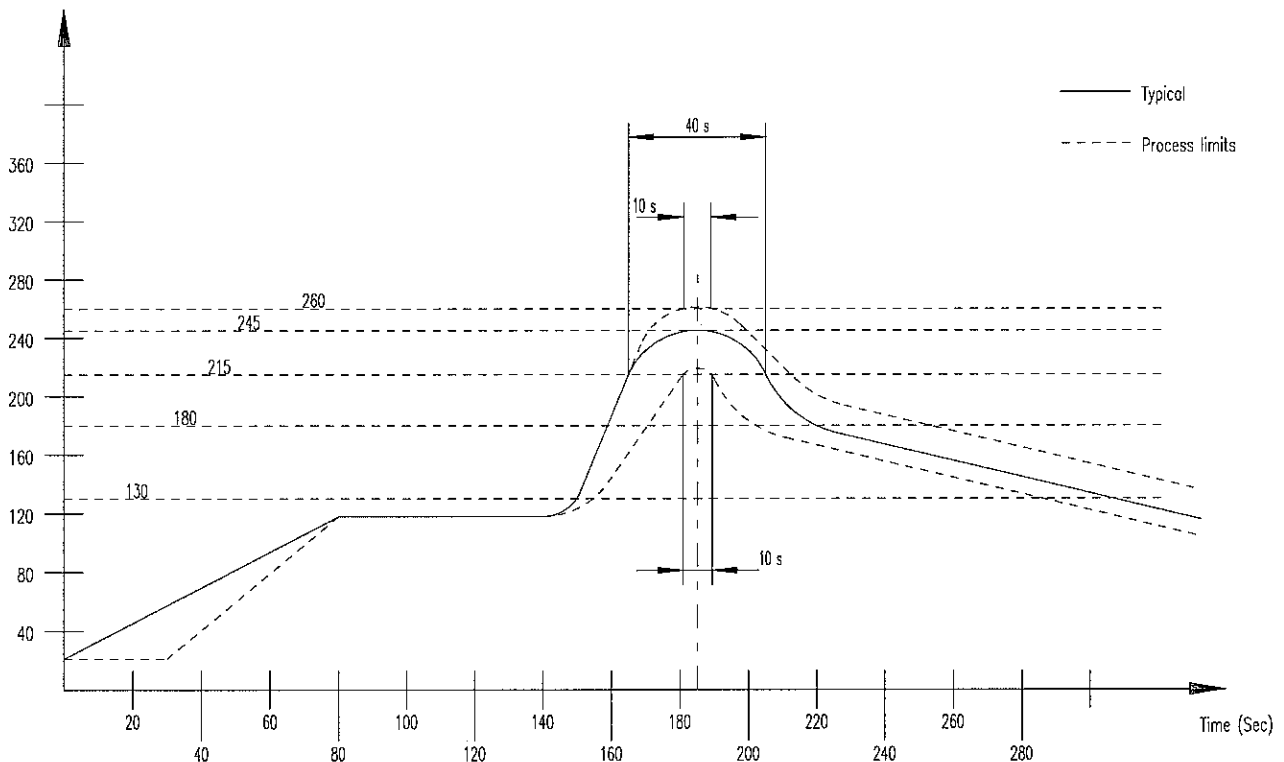
SOLDER PROCEDURE OF SWITCH EDGE CARD RECEPTACLE IN INDUSTRIAL ENVIRONMENT

1. Deposit solder paste 'SN62RP11AGS90' on mounting zone by screen printing application. We recommend a low residue flux. We advise a thickness of 150 micromm (5.850 microinch). Verify that the edges of the zone are clean.
2. Placement of the receptacle on the mounting zone with an automatic machine of 'pick and place' type. A video camera is recommended for positioning of the component . Adhesive agents must not be used on the receptacle.
3. This process of soldering has been tested with convection oven .Below please find ,the typical profile to use.
4. The cleaning of printed circuit boards is not obliged .
5. Verification of solder joints and position of the component by visual inspection.

NOTE : The receptacle and the plug must not be mated before completion of this procedure

TEMPERATURE PROFILE

Temperature (Degre C)



Issue : 0449 D

In the effort to improve our products, we reserve the right to make changes judged to be necessary.



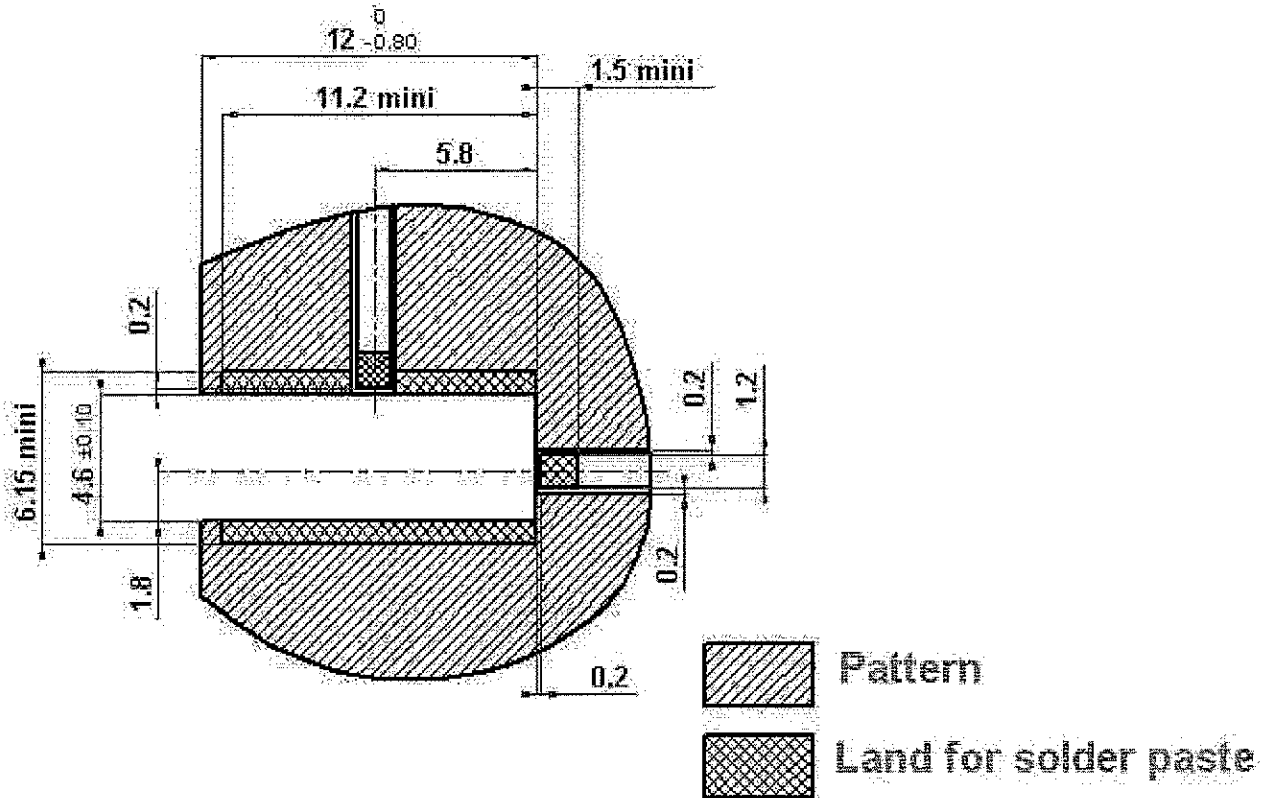
SMT SWITCH RECEPTACLE

R199.005.890

REEL OF 500

Series : MC-CARD

INFORMATIONS



COPLANAR LINE :

Ground and signal are on the same side.

Thickness of PCB : 1 mm.

The material of PCB is glass – epoxy composite (Er=4.8)

The solder resist should be printed except for the land pattern of the PCB.

Issue : 0449 D

In the effort to improve our products, we reserve the right to make changes judged to be necessary.



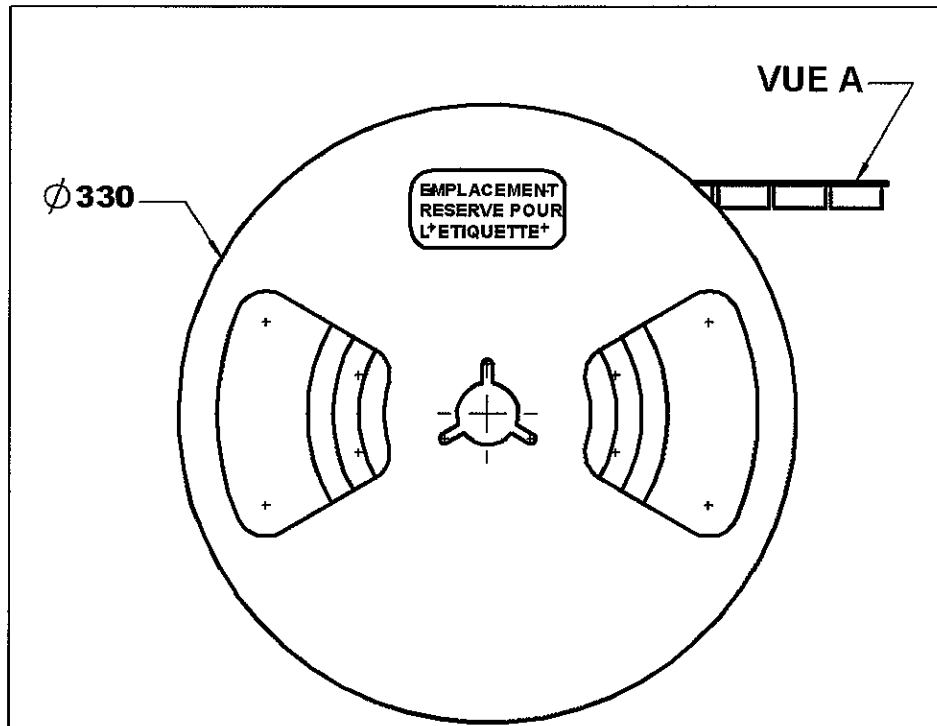
SMT SWITCH RECEPTACLE

R199.005.890

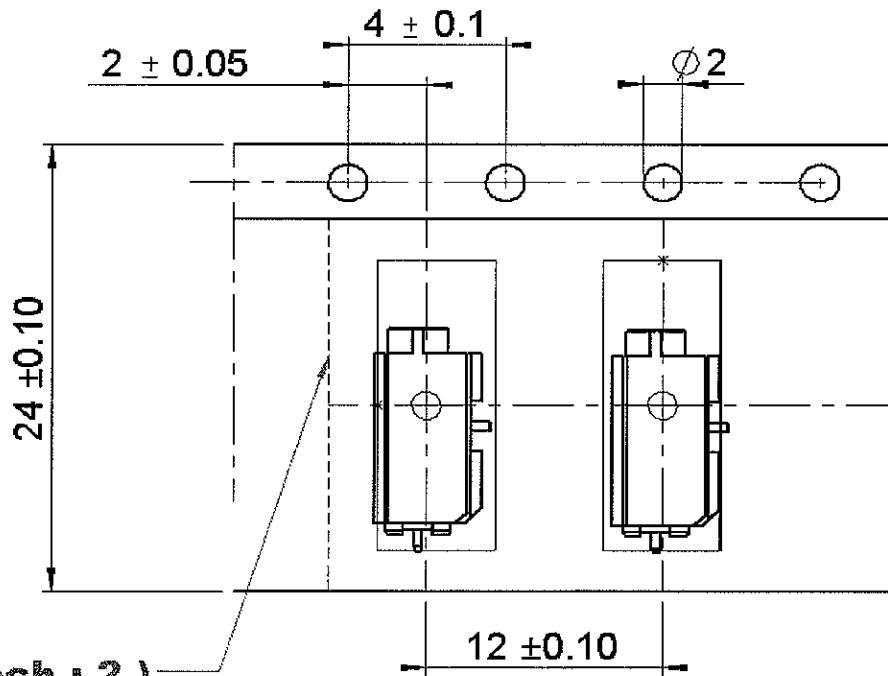
REEL OF 500

Series : MC-CARD

PACKAGING



bobine Ech :0.7



Vue A (ech : 2)

Issue : 0449 D

In the effort to improve our products, we reserve the right to make changes judged to be necessary.

